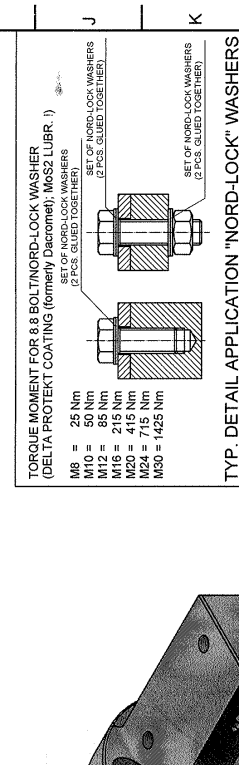
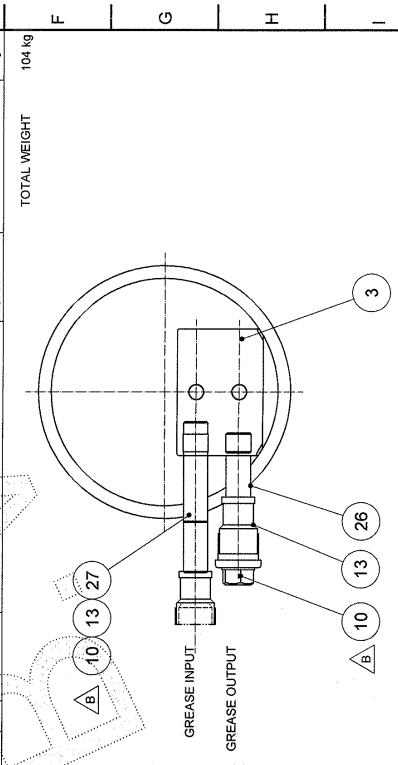


ITEM	QTY	DRAWING	DESCRIPTION	PARTS/REFERENCE LIST	MATERIAL	STANDARD/REM.	MASS
1	1		CYLINDRICAL PIN Ø3x10		St.	DIN 7	0
2	1		CYLINDRICAL ROLLER BEARING NU 2216 ECP		SKF		2
3	2		HEX SOCKET PLUG M10x1		St.	DIN 906	0
4	4		HEX SOCKET COUNTERS. SCREW M12x25		DIN 7991		0
5	6		HEX. SOCKET HEAD CAP SCREW M12x50		A4-70	DIN 912	0
6	12		HEX. SOCKET HEAD CAP SCREW M16x60		12.9	DIN 912; DACROMET OR DELTA PROTEKT COATING	2
7	12		HOLE PLUG Ø35		PLASTIC	FABORY ART.NR. 56792	0
8	1		LOCK NUT KM14		St.	SKF	0
9	1		LOCK PLATE MB14		St.	SKF	0
10	2		SCREW PLUG G1/4"		St.	DIN 910	0
11	2		SEAL TYPE GR100x130x12		NBR	ERIKS	0
12	12		SET "NORD-LOCK" WASHERS NL16 FOR M16		St.	DELTA PROTEKT COATING	0
13	2		SOCKET PIPE REDUCER G1/4 - G1/8 (IN/IN)		AISI 316		0
14	1		SPHERICAL ROLLER BEARING 22217-E			SKF	3
15	6		SPRING WASHER M12		A4	DIN 7980	0
16	1	1760-101			C35N		70
17	1	1760-102	Ø100 L=310		42CrMo4V		13
18	1	1760-103	Ø100 L=910		S355J2		2
19	1	1760-104	Ø148/Ø130 L=86.5		S355J2		3
20	1	1760-105	Ø100/Ø85 L=35		S355J2		1
21	1	1760-106	Ø200/Ø112 L=44		C35		1
22	1	1760-107	Ø200/Ø112 L=44		C35		1
23	1	1760-108	PLATE, 12 mm, Ø157		S235LR		2
24	1	1760-109	Ø130/Ø118 L=5		C35		0
25	1	1760-110	Ø67/Ø71 L=10		S235LR		0
26	1	1760-111	PIPE Ø 10x2.5, L=40		AISI 304		0
27	2	1760-112	PIPE Ø 10x2.5, L=60		AISI 304		0



REV	DESCRIPTION	DATE	APPROVED
B	EVYRA ITEM	28.7.2010	HY
	REVISION HISTORY		

Project POLANIEC POWER ST.: GYPSUM SILO 14.000m³
 Subject AUGER FRAME; BEARING AUGERS COL. SIDE; ASSEMBLY

ESI Eurosilos B.V.
 Engineers & Contractors

P.O. Box 1047 - 1540 BA Purmerend, nl
 Telephone: +31 (0)39 650270 E-mail: esi@eurosilos.com
 Telefax: +31 (0)39 650271 Webpage: www.eurosilos.com

scale: 1 : 1
 checked date: 14.2.2008
 checked by: M. de Graaf
 checked by: J. van der Vliet
 sheet: R11019-1760-100 1/1
 total sheets: A1